





2/2 or 3/2 way Rocker-Solenoid Valve with separating diaphragm

- With isolating diaphragm
- Compact design with 16 mm width and Cv ratings up to 0.058
- Flexible design for custom manifold assemblies
- High back pressure tightness, excellent cleanability and 100 % duty cycle
- Normally closed, normally open and universal function

Product variants described in the data sheet may differ from the product presentation and description.

Can be combined with

	Type 2516 ▶ Cable plug DIN EN 175301-803 - connector shape C
	Type 2505 ▶ Socket for 10 mm for Bürkert Solenoid Valves

Type description

The direct-acting rocker solenoid valve, Type 6126, is suitable for general applications in which compressed air, gases or slightly contaminated liquids are to be switched. The medium is in contact exclusively with the housing material and the FKM seals. The heat input in the medium is minimal, because the housing is separated from the coil by a stainless steel plate. The valves can be mounted directly or also single or manifold mounted. They are used for dosing, filling, mixing and distributing small quantities of medium.

Table of contents

1. General technical data	3
2. Circuit functions	3
3. Materials	4
3.1. Chemical Resistance Chart – Bürkert resistApp.....	4
3.2. Material specifications	4
4. Dimensions	5
4.1. Sub-base version with rectangular plug (Type 2505).....	5
4.2. Sub-base version with plug-in connection top (Type 2516)	5
4.3. Sub-base version with plug-in connection lateral (Type 2516)	6
4.4. Sub-base version with flying leads	7
4.5. Bürkert sub-base interface 3-way (standard)	8
4.6. Bürkert sub-base interface 2-way (standard)	8
4.7. Bürkert sub-base interface 2-way (low dead volume)	9
4.8. Manifolds in PPS for Bürkert sub-base interface 2-way	10
4.9. Manifolds in aluminium for Bürkert sub-base interface 3-way (black anodized)	11
4.10. Single manifolds in aluminium for Bürkert sub-base interface 3-way (black anodized)	12
Port connection M5	12
Port connection G 1/8"	13
5. Performance specifications	13
5.1. Internal volume	13
5.2. Medium temperature.....	14
6. Ordering information	14
6.1. Bürkert eShop – Easy ordering and quick delivery.....	14
6.2. Bürkert product filter.....	14
6.3. Ordering chart.....	15
Manifolds in PPS for Bürkert sub-base interface 2-way	15
Manifolds in aluminium for Bürkert sub-base interface 3-way (black anodized)	15
Single manifolds in aluminium for Bürkert sub-base interface 3-way (black anodized)	15
6.4. Ordering chart accessories.....	16
Rectangular plug Type 2505	16
Cable plug Type 2516, plug-in connection C acc. to DIN EN 175301 - 803	16

1. General technical data

Product properties	
Dimensions	Detailed information can be found in chapter "4. Dimensions" on page 5.
Materials	
Fluid housing	PPS
Seal	FKM, EPDM
Internal volume ^{1.)}	Sub-base: starting at 44 µl < 10 µl available on request
Orifice	DN0.8...DN1.6
Electrical data	
Operating voltage	12/24 V DC, other voltages are available on request
Voltage tolerance	± 10 %
Power consumption	3.4 W
Duty cycle	100 % continuous rating Manifold mounting: If media or ambient temperatures are above + 40 °C: intermittent operation 40 % (minimum 10 min)
Performance data	
Response times ^{2.)}	Open: ca. 25 ms (Pressure rise 0...10 %) Closing: ca. 25 ms (Pressure drop 100...90 %)
Medium data	
Media	Resistant to neutral and aggressive liquids and gases
Media temperature ^{3.)}	- 10...55 °C
Viskosität (max.)	21 mm ² /s
Approvals and certificates	
Protection class	IP65 with flying leads or cable plug Type 2516 IP30 with Rectangular plug Type 2505
Product connections	
Port connection	Bürkert sub-base (16 × 27 mm)
Electrical connection ^{4.)}	Plug-in connection C acc. to DIN EN 175301 - 803 for cable plug Type 2516 top/lateral 2 FEP-leads, AWG 24, length 500 mm Rectangular cable plug, Type 2505
Environment and installation	
Installation	As required, preferably with actuator upright
Ambient temperature (max.)	55 °C

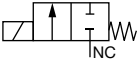
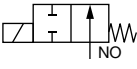
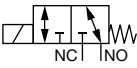
1.) The internal volume can vary depending on the housing. For further information see "5.1. Internal volume" on page 13

2.) Measured at valve outlet at 2 bar and +20 °C acc. to DIN ISO 12238:2001

3.) Temperature may vary depending on orifice and seal material. For further information see "5.2. Medium temperature" on page 14


4.) Other electric connectors and other cable lengths upon request.

2. Circuit functions

Circuit functions	Description
	Type: A, solenoid valve 2/2 way Direct-acting Normally closed
	Type: B, solenoid valve 2/2 way Direct-acting Normally opened
	Type: T, solenoid valve 3/2 way Direct-acting Flow direction optional Universal

3. Materials

3.1. Chemical Resistance Chart – Bürkert resistApp

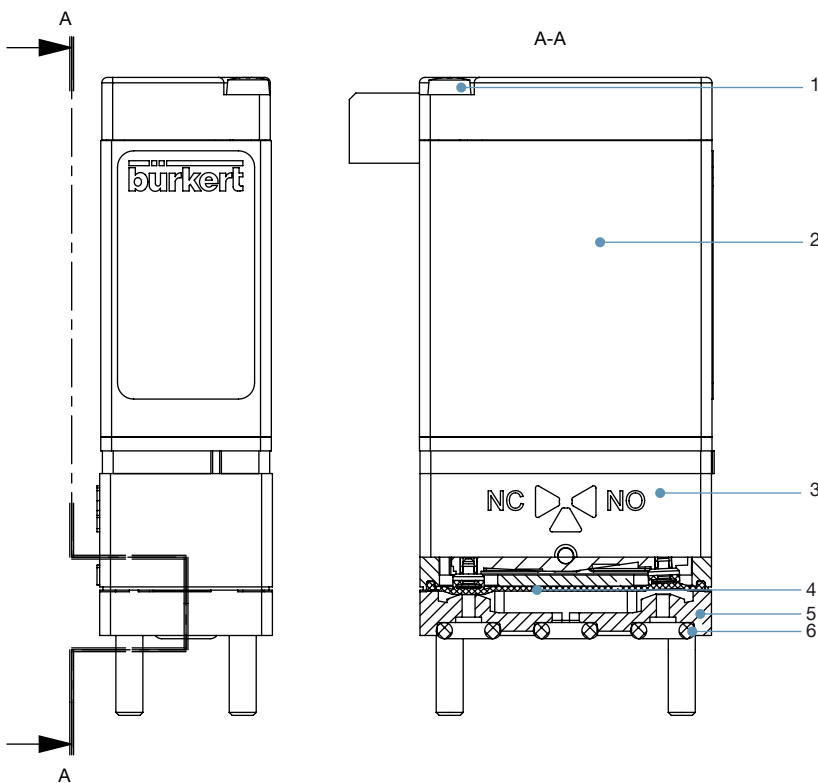


Bürkert resistApp – Chemical Resistance Chart

You want to ensure the reliability and durability of the materials in your individual application case? Verify your combination of media and materials on our website or in our resistApp.

[Start Chemical Resistance Check](#)

3.2. Material specifications



No.	Element	Material
1	Rounded head screw M2.5	A2
2	Coil	Epoxy
3	Actuator housing	PPS
4	Diaphragm (medium contact)	FKM, EPDM
5	Fluid housing (medium contact)	PPS
6	Flange seal (medium contact)	FKM, EPDM

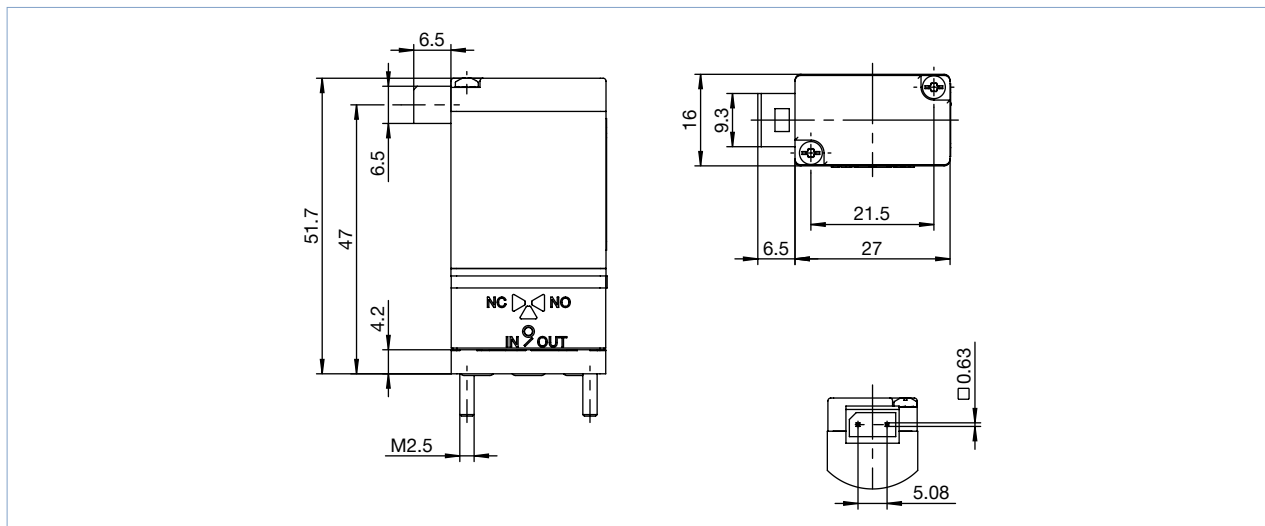
DTS 1000138746 EN Version: E Status: RL (released | freigegeben | valide) printed: 20.11.2019

4. Dimensions

4.1. Sub-base version with rectangular plug (Type 2505)

Note:

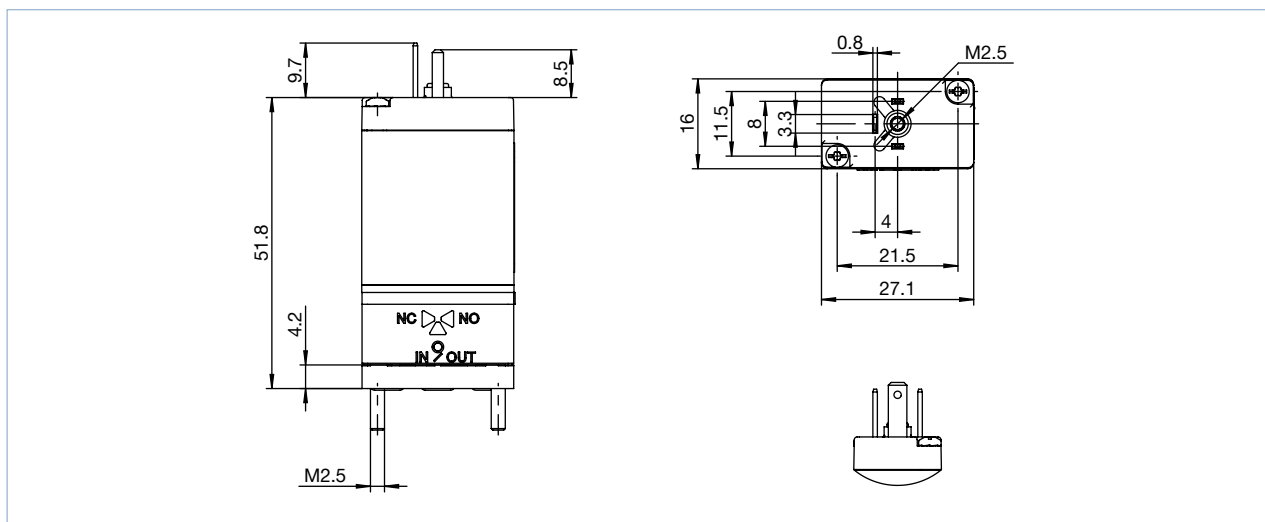
- Dimensions in mm
- Other screw length on request
- Self-tapping screws on request



4.2. Sub-base version with plug-in connection top (Type 2516)

Note:

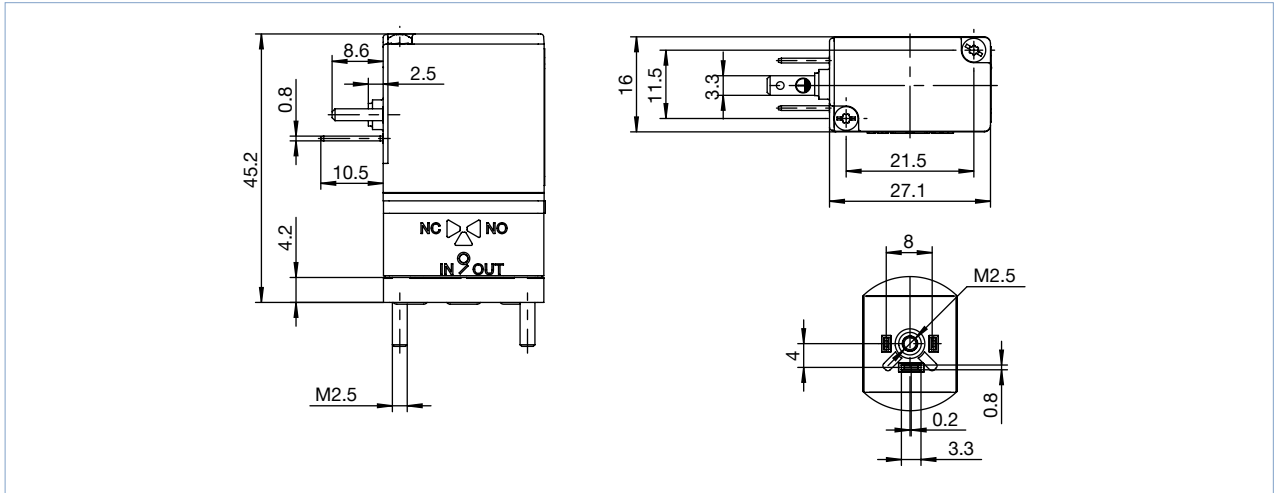
- Dimensions in mm
- Other screw length on request
- Self-tapping screws on request



4.3. Sub-base version with plug-in connection lateral (Type 2516)

Note:

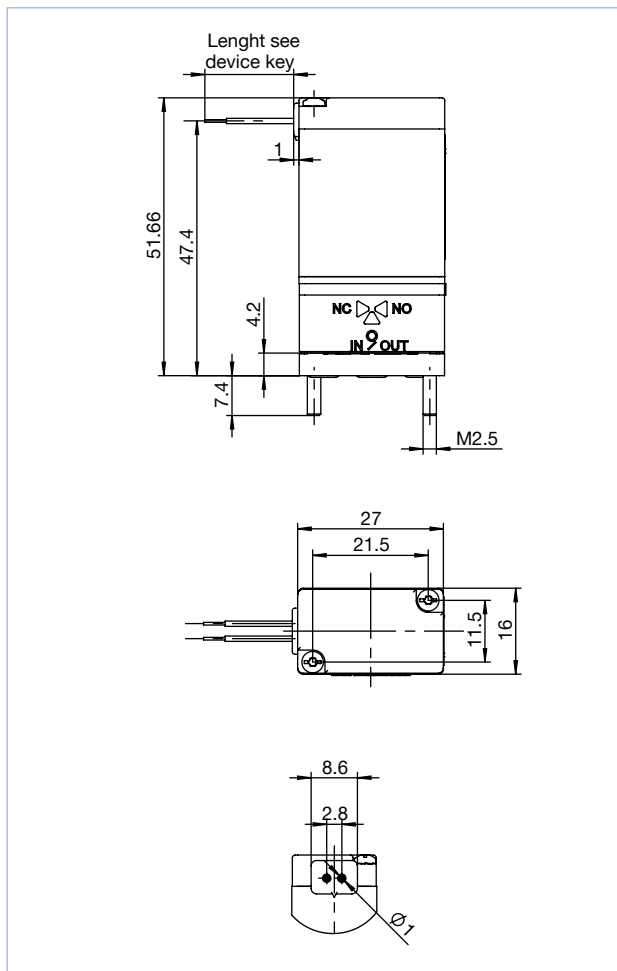
- Dimensions in mm
- Other screw length on request
- Self-tapping screws on request



4.4. Sub-base version with flying leads

Note:

- Dimensions in mm
- Other screw length on request
- Self-tapping screws on request



Classification of fluid connections

WWA (circuit function: Type A)
 2/2 way
 Direct-acting
 Normally closed

WWB (circuit function: Type B)
 2/2 way
 Direct-acting
 Normally opened

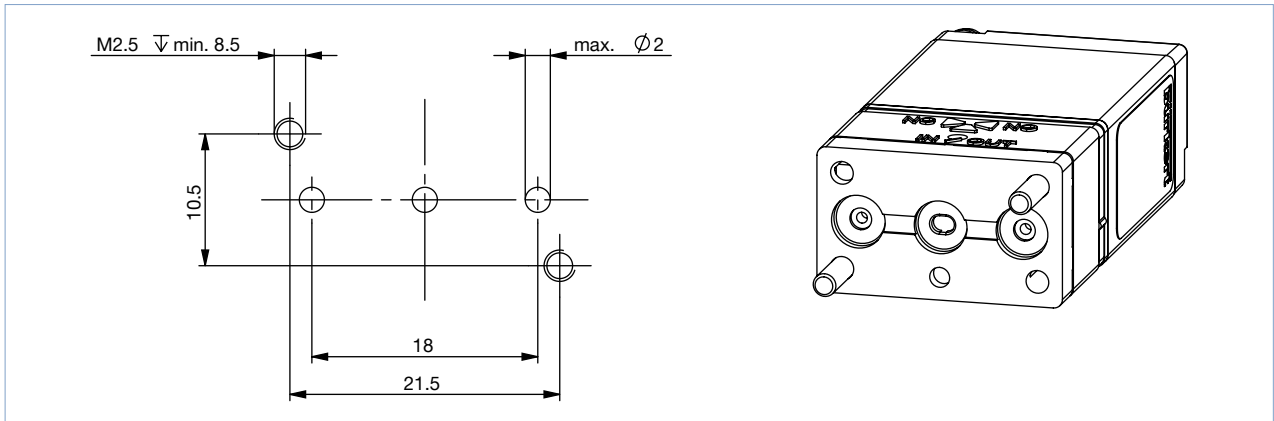
WWT (circuit function: Type T)
 Direct-acting
 Flow direction optional
 Universal

See chapter "2. Circuit functions" on page 3

4.5. Bürkert sub-base interface 3-way (standard)

Note:

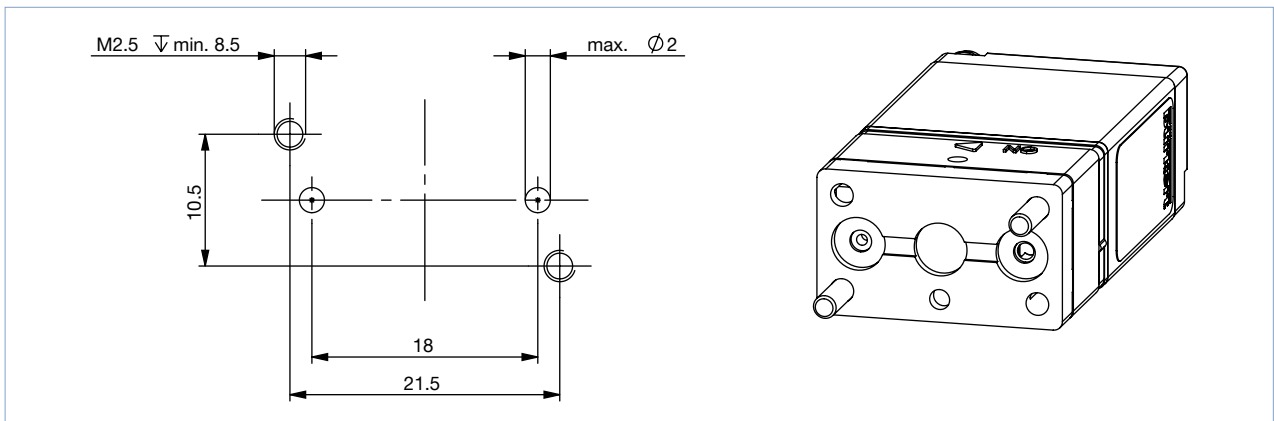
Dimensions in mm



4.6. Bürkert sub-base interface 2-way (standard)

Note:

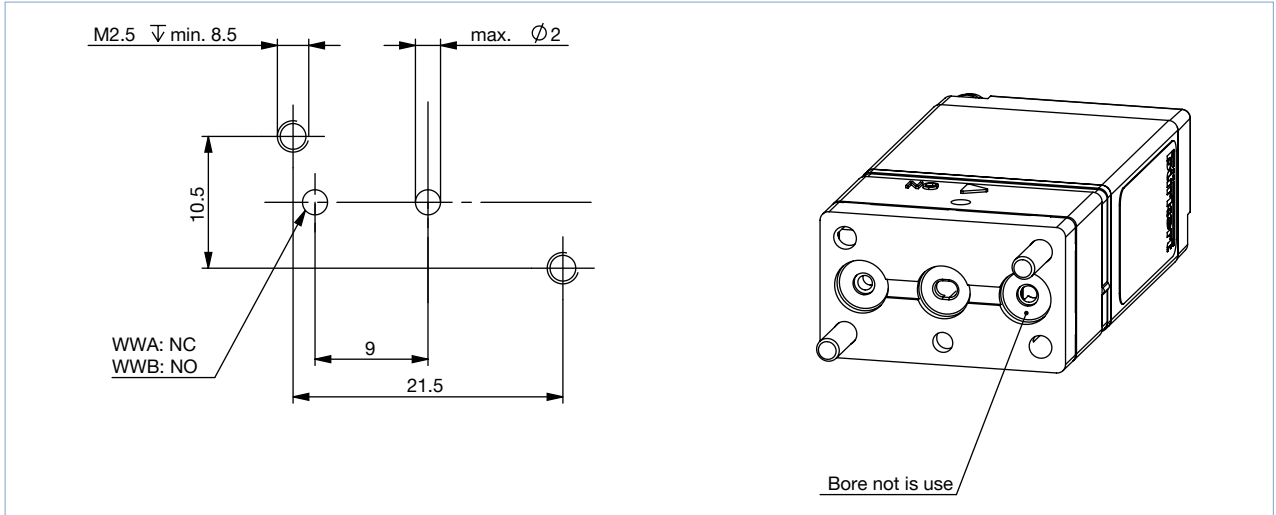
Dimensions in mm



4.7. Bürkert sub-base interface 2-way (low dead volume)

Note:

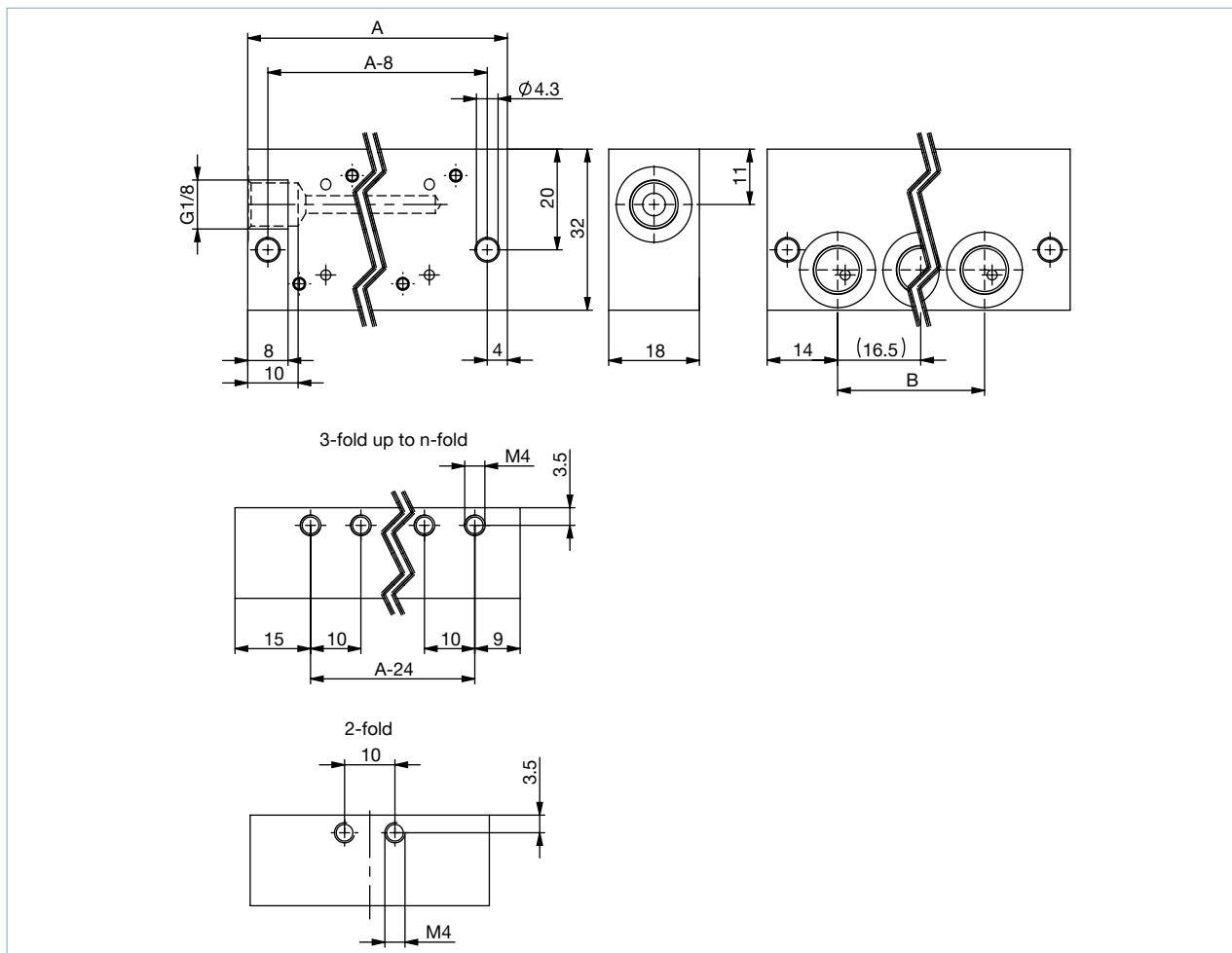
- Dimensions in mm
- Available on request



4.8. Manifolds in PPS for Bürkert sub-base interface 2-way

Note:

- Dimensions in mm
- Port connection G 1/8"
- Consider the screw protrusion!
- Further versions on request

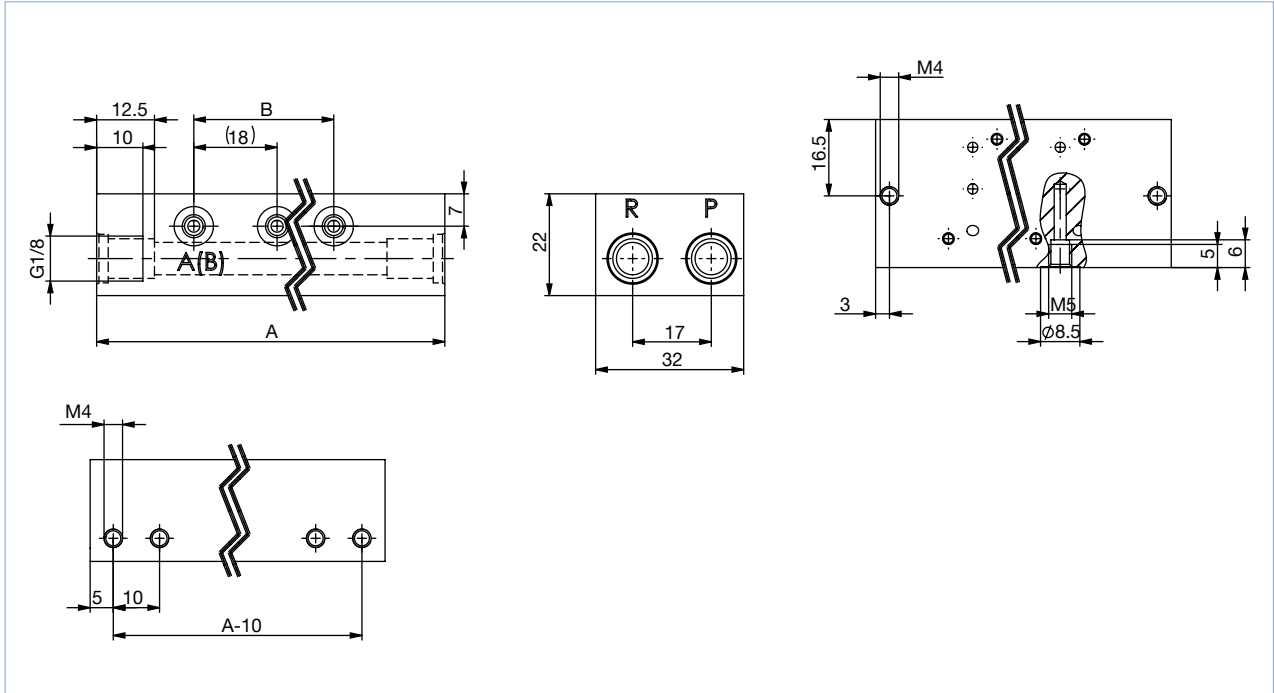


Manifold	A	B	n	Article no.
2-fold	47.5	16.5	2	675628
3-fold	64	33	3	675629
4-fold	80.5	49.5	4	675630
5-fold	97	66	5	675631
6-fold	113.5	82.5	6	675632
7-fold	130	99	7	675633
8-fold	146.5	115.5	8	675634
9-fold	163	132	9	675635
10-fold	179.5	148.5	10	675636

4.9. Manifolds in aluminium for Bürkert sub-base interface 3-way (black anodized)

Note:

- Dimensions in mm
- Port connection 1: G 1/8"
- Port connection 2: M5
- Consider the screw protrusion!
- Further versions on request



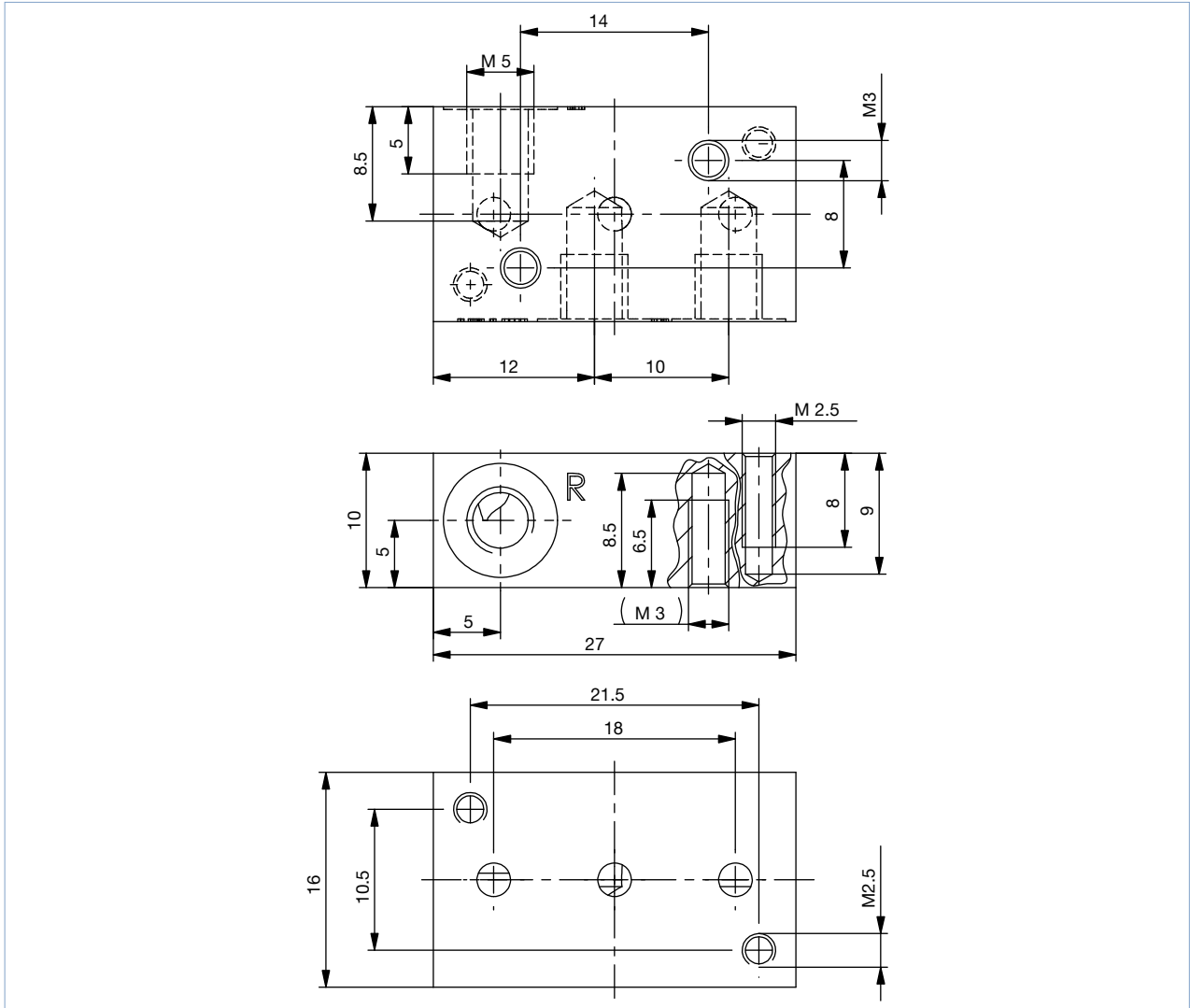
Manifold	A	B	n	Article no.
2-fold	63	18	2	658695
3-fold	81	36	3	658696
4-fold	99	54	4	658697
5-fold	117	72	5	658698
6-fold	135	90	6	658699
8-fold	171	126	8	658700
10-fold	207	162	10	658701
12-fold	243	198	12	658703

4.10. Single manifolds in aluminium for Bürkert sub-base interface 3-way (black anodized)

Port connection M5

Note:

- Dimensions in mm
- Consider the screw protrusion!
- Further versions on request

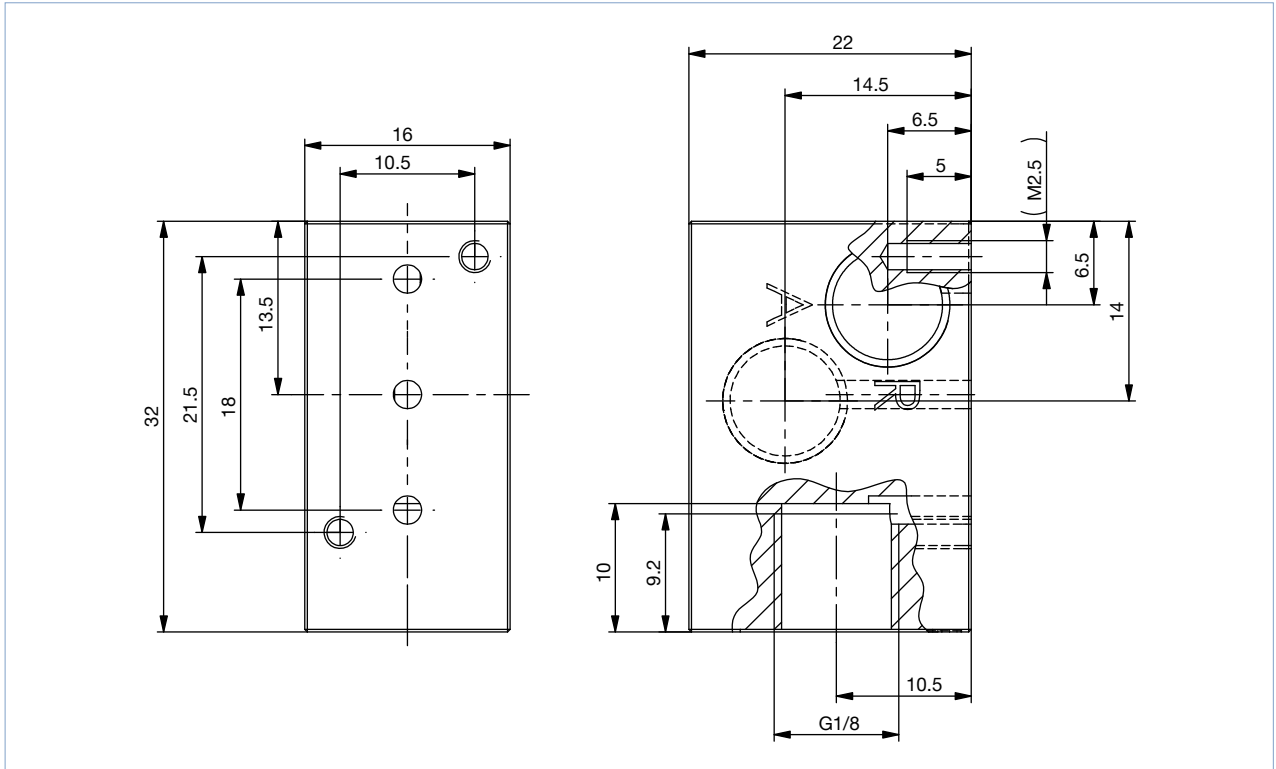


Manifold	Article no.
1-fold	623873

Port connection G 1/8"

Note:

- Dimensions in mm
- Consider the screw protrusion!
- Further versions on request



Manifold	Article no.
1-fold	634917

5. Performance specifications

5.1. Internal volume

Note:

The internal volume is depending on fluid housing.

Body	2-way low dead volume		2-way		3-way	
	Fluid chamber	Total	Fluid chamber	Total	Fluid chamber	Total
Sub-base	44 µl	54 µl	97 µl	106 µl	90 µl	106 µl

5.2. Medium temperature

Note:


The permissible medium temperature depends on the material and the nominal size.

Description	Orifice	Seal material	Temperature range
Media temperature	DN0.8	FKM	0... +50 °C
	DN0.8	EPDM	-5... +50 °C
	DN1.2 & 1.6	FKM	+5... +50 °C
	DN1.2 & 1.6	EPDM	0... +50 °C
Media temperature with limitation on switching time and life expectancy	DN0.8	FKM	-5... +55 °C
	DN0.8	EPDM	-10... +50 °C
	DN1.2 & 1.6 ¹⁾	FKM	0... +55 °C
	DN1.2 & 1.6	EPDM	-5... +50 °C

1.) Upon request up to -15 °C available

6. Ordering information

6.1. Bürkert eShop – Easy ordering and quick delivery

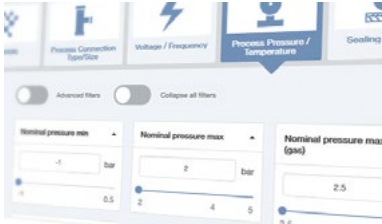


Bürkert eShop – Easy ordering and fast delivery

You want to find your desired Bürkert product or spare part quickly and order directly? Our online shop is available for you 24/7. Sign up and enjoy all the benefits.

[Order online now](#)

6.2. Bürkert product filter



Bürkert product filter – Get quickly to the right product

You want to select products comfortably based on your technical requirements? Use the Bürkert product filter and find suitable articles for your application quickly and easily.

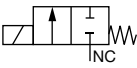











[Try out our product filter](#)

DTS 1000138746 EN Version: E Status: RL (released | freigegeben | valide) printed: 20.11.2019

6.3. Ordering chart

Note:

- Overpressure with respect to atmospheric pressure
- On request different pressure ranges available

Circuit function	Orifice	Port connection	K _v value water	C _v value	Q _{Nn} value air	Pressure range	Seal material	Fluid housing material	Electrical connection	Voltage/Frequency	Article no.
	[mm]		[m ³ /h]	[gal/min]	[l/min]					[V/Hz]	
A, solenoid valve 2/2 way Direct-acting Normally closed 	0.8	Sub-base	0.015	0.017	16	0...6	FKM	PPS	Tag connector to side	12/DC	139151 
										24/DC	139088 
									Rectangular plug	24/DC	139236 
							EPDM				
									Tag connector to side	12/DC	139154 
										24/DC	139155 
T, solenoid valve 3/2 way Direct-acting Flow direction optional Universal 	0.8	Sub-base	0.015	0.017	16	0...6	FKM	PPS	Tag connector to side	12/DC	139158 
										24/DC	139159 
									Rectangular plug	24/DC	139237 
							EPDM				
									Tag connector to side	12/DC	139162 
										24/DC	139163 

Manifolds in PPS for Bürkert sub-base interface 2-way

Note:

Detailed order information can be found in chapter [“4.8. Manifolds in PPS for Bürkert sub-base interface 2-way”](#) on page 10.

Manifolds in aluminium for Bürkert sub-base interface 3-way (black anodized)

Note:

Detailed order information can be found in chapter [“4.9. Manifolds in aluminium for Bürkert sub-base interface 3-way \(black anodized\)”](#) on page 11.

Single manifolds in aluminium for Bürkert sub-base interface 3-way (black anodized)

Note:





Detailed order information can be found in chapter [“4.10. Single manifolds in aluminium for Bürkert sub-base interface 3-way \(black anodized\)”](#) on page 12.

6.4. Ordering chart accessories

Rectangular plug Type 2505

Note:





For further versions see datasheet [Type 2505](#) ▶.

Accessories	Description	Article no.
	Rectangular plug Type 2505 with 300 mm leads, 2 pin	262346 
	Rectangular plug Type 2505 with 3 m cable, 2 pin	252572 

Cable plug Type 2516, plug-in connection C acc. to DIN EN 175301-803

Note:

- The delivery of a cable plug includes a flat gasket and a fixing screw
- For further versions see datasheet [Type 2516](#) ▶.

Cable plug	Version	Voltage	Current	Article no. without cable
	Without circuitry	0...250 V AC/DC	Max. 6 A	303141 
	With LED	12...24 V AC/DC	Max. 3 A	303145 
	With LED and varistor	0...24 V AC/DC	Max. 3 A	303148 

Bürkert – Close to You

For up-to-date addresses
please visit us at
www.burkert.com

DTS 1000138746 EN Version: E Status: RL (released | freigegeben | validé) printed: 20.11.2019

