



Model Number

ECA21IL-02A1A-B16AN:OE1212

Cable pull rotary encoder with CANopen interface

Features

- **Robust aluminum drum housing**
- **Bellows with steel tip**
- **Rust and acid-resistant measuring cable**
- **Resolution: 12 singleturn, 12 bit multiturn**

Description

Cable pull with a robust design to suit a wide range of requirements.

Technical Data

General specifications

Detection type	photoelectric sampling
Device type	Industrial Line with CANopen interface
Measuring range	2000 mm
Construction type	80 mm
Resolution	Cable pull: Design 80 mm: 0.049 mm Encoder: 24 bit (12 bit/revolution)

Electrical specifications

Operating voltage U_B	10 ... 30 V DC
No-load supply current I_0	≥ 350 mA

Interface

Interface type	CANopen
Resolution	
Single turn	12 Bit
Multiturn	12 Bit
Overall resolution	24 Bit
Transfer rate	max. 1 MBit/s
Standard conformity	communication profile: DS 301 Device profiles: DS 406 and DS 417 , programmable according to class 2

Connection

Connector	M12, A-coded
-----------	--------------

Standard conformity

Degree of protection	acc. DIN EN 60529
Connection side	Encoder: IP65 Cable pull: IP64
Climatic testing	DIN EN 60068-2-3, no moisture condensation
Emitted interference	EN 61000-6-4:2007
Noise immunity	EN 61000-6-2:2005

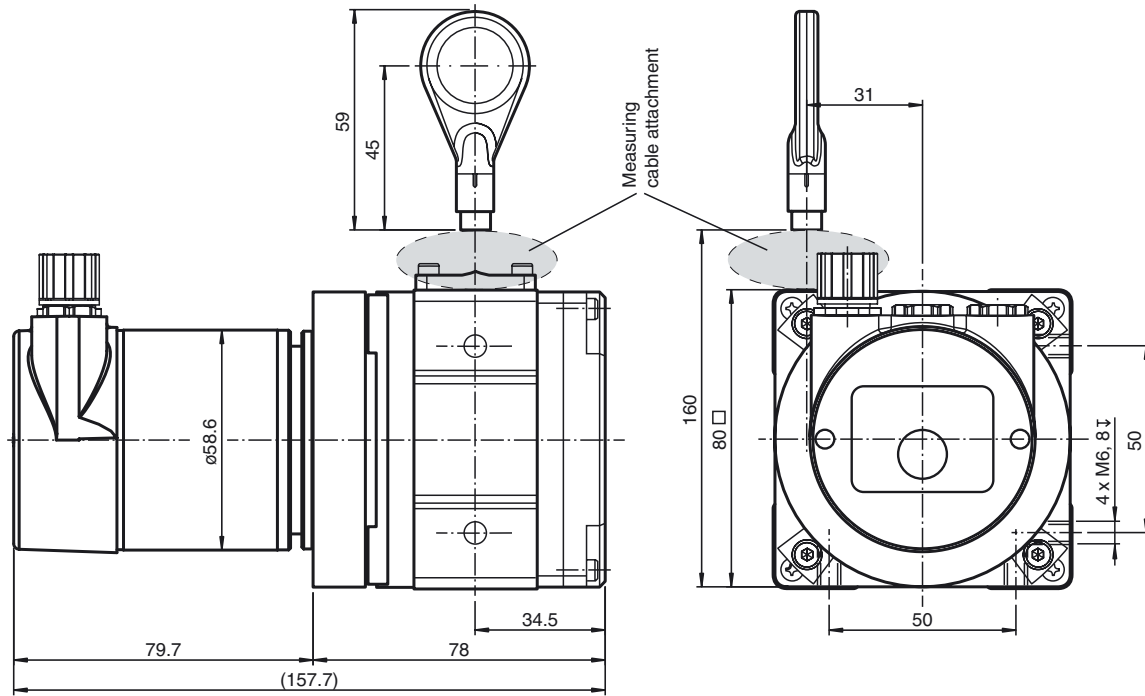
Ambient conditions

Ambient temperature	-30 ... 70 °C (-22 ... 158 °F)
Storage temperature	-30 ... 70 °C (-22 ... 158 °F)
Relative humidity	98 % , no moisture condensation

Mechanical specifications

Rope diameter	0.54 mm
Drum perimeter	230 mm
Retraction speed	4 m/s
Spring retraction force	8 ... 14 N
Material	
Housing	aluminum, coated
Cable pull	anodized aluminum
Flange	anodized aluminum
Rope	Stainless steel 1.4401/316
Mass	1400 g
Life span	up to 10^6 Cycles

Dimensions



Electrical connection

Signal	5-pin, M12 x 1 connector
CAN GND	1
+V _S	2
GND	3
CAN-High	4
CAN-Low	5
Shielding	Housing
Pinout	