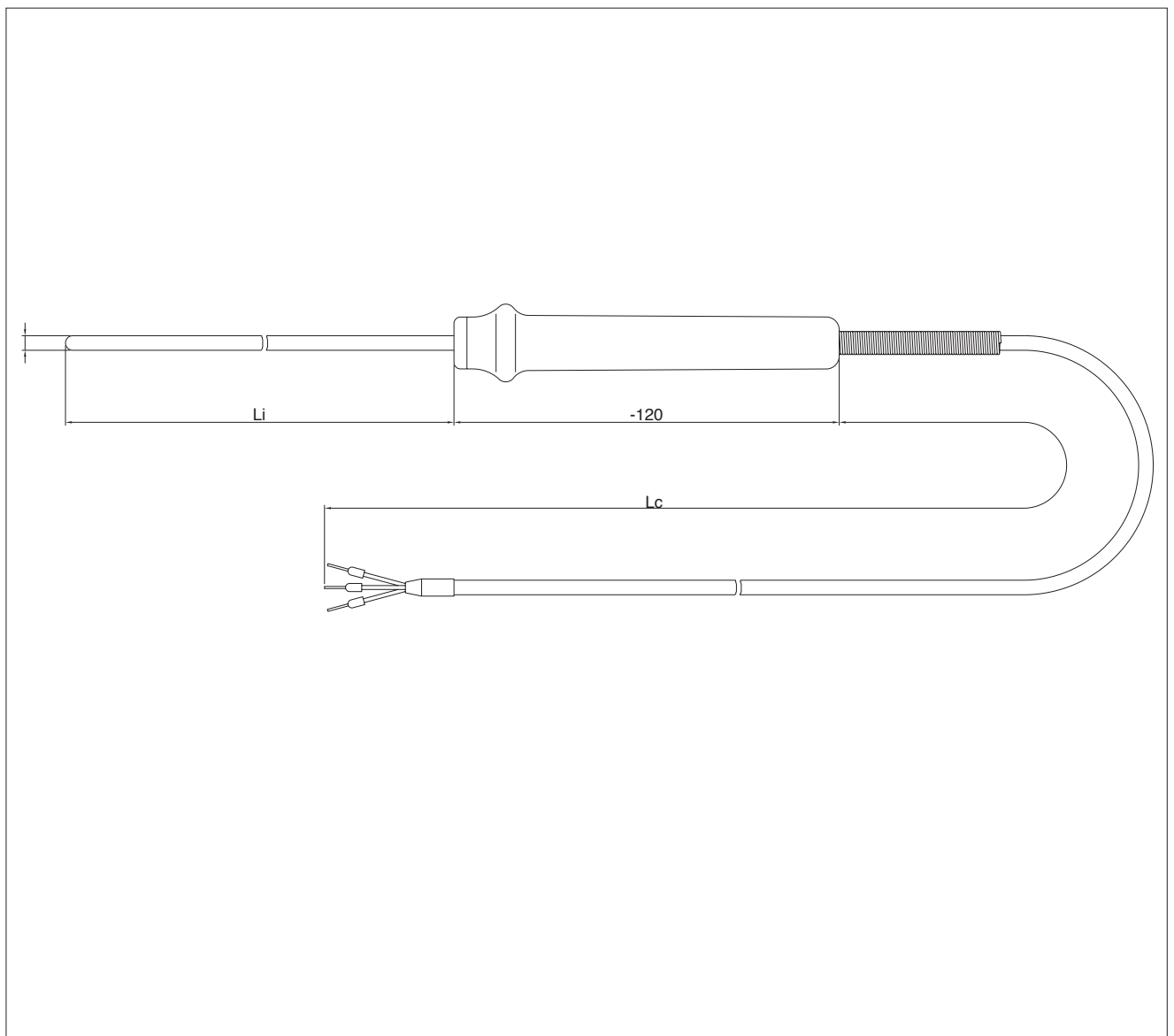




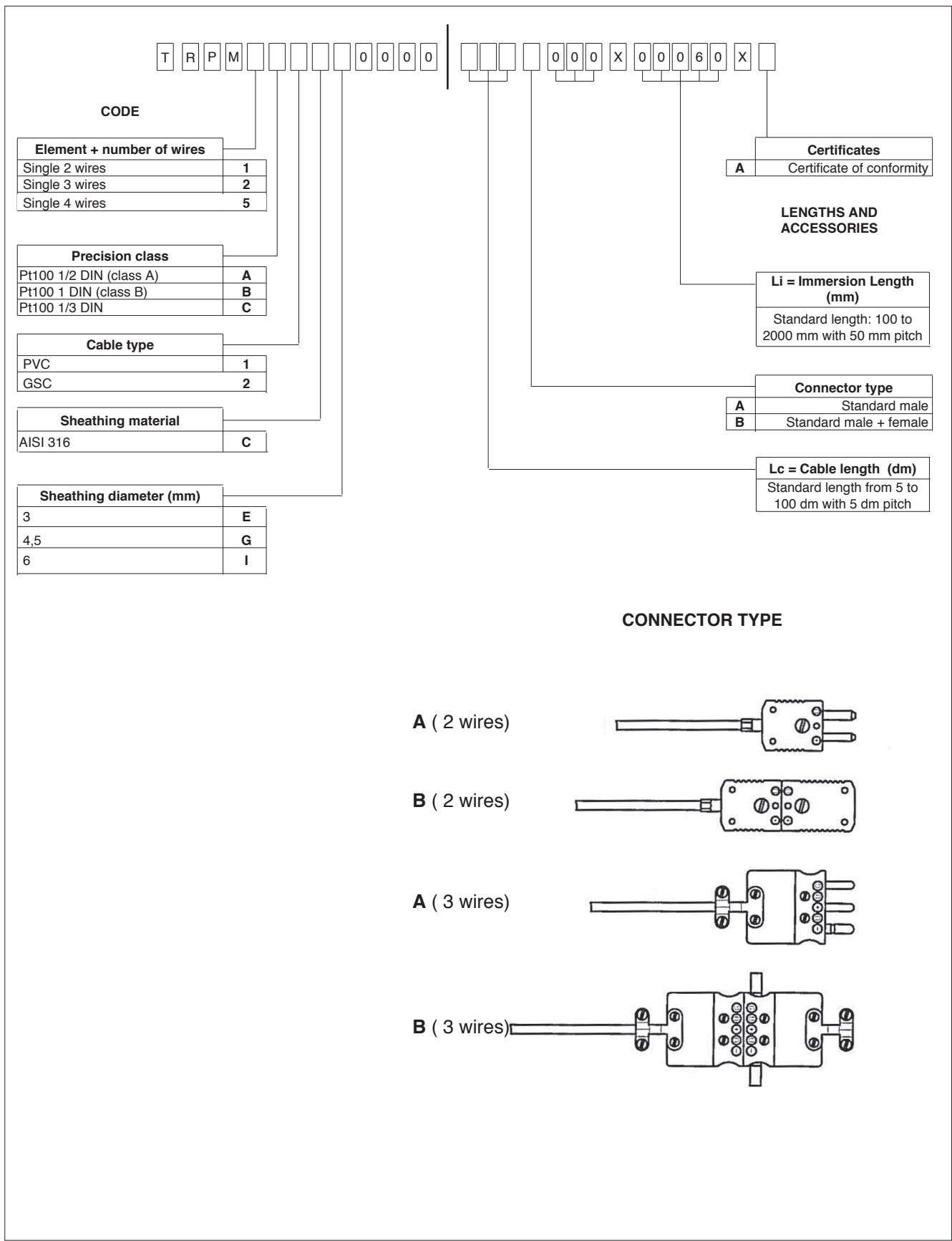
Main characteristics

- Max. temperature limit:
- 80 ... + 600° C
- Reference tolerances: UNI 7937, IEC 751:
± 0,15°C a 0°C per 1/2 DIN (class A)
± 0,30°C a 0°C per 1 DIN (class B)
± 0,10°C a 0°C per 1/3 DIN
- Sensitive element with MgO isolation Pt100 at 0°C

MODELS



ORDER CODE



GEFRAN spa reserves the right to make any kind of design or functional modification at any moment without prior notice