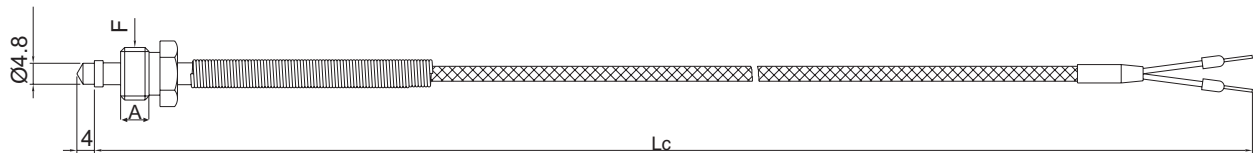




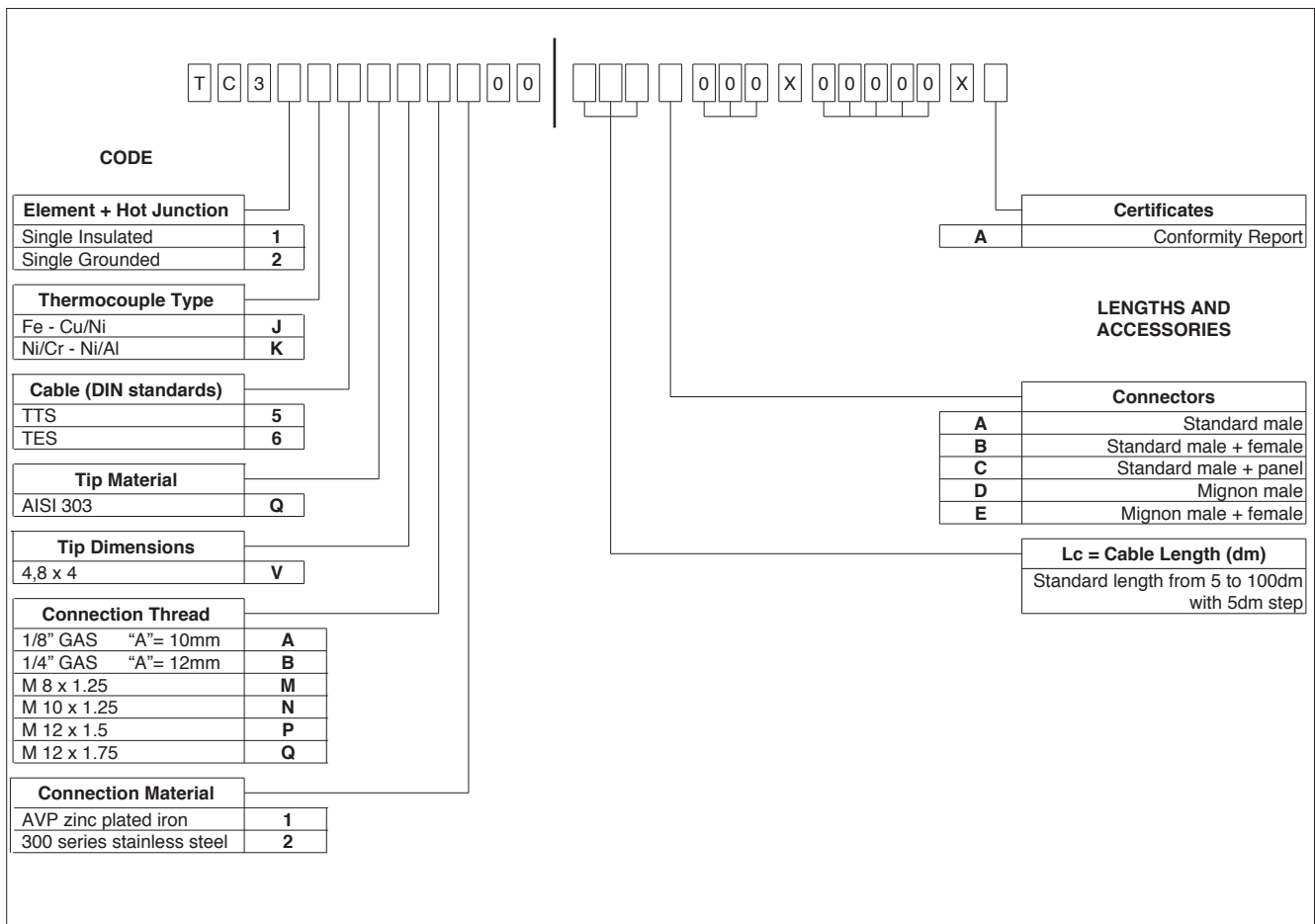
### Main features

- Temperature limits: - 40 ... + 250° C
- Tolerance: UNI 7938, IEC 584.2 Standards, Class 2:  
for types J, K:  $\pm 2.5^{\circ} \text{C}$
- Extension cable insulation: fibreglass, screened  
TEFLON®
- Stainless steel tip
- Thrust spring washer
- Cable to DIN standard

### MODELS



# ORDER CODE



GEFRAN spa reserves the right to make any kind of design or functional modification at any moment without prior notice