

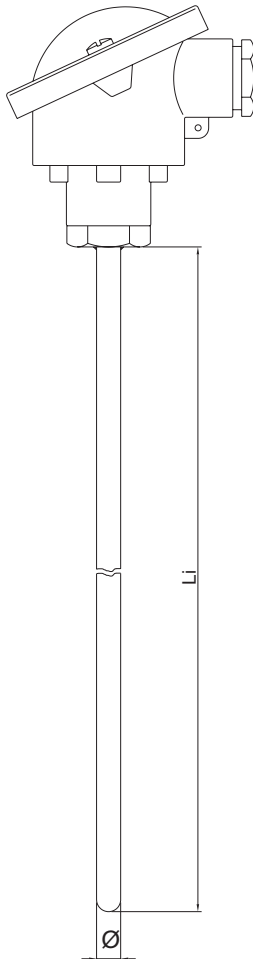


### Main features

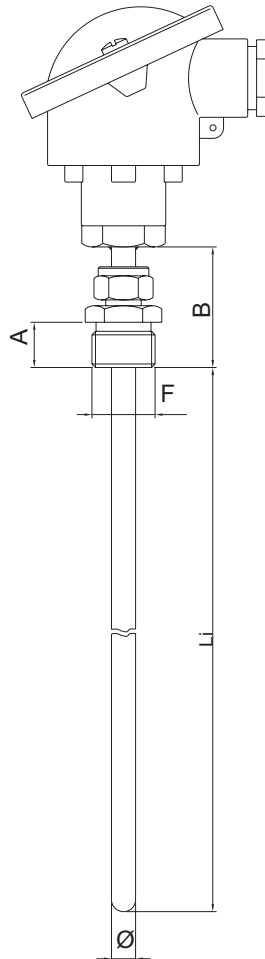
- 4...20mA Transmitter
- Amplified output signal
- Temperature Limits: -80 ... +600° C
- Tolerance: UNI 7937, IEC 751 standards:
  - ± 0.15° C a 0° C for class A (1/2 DIN)
  - ± 0.30° C a 0° C for class B (1 DIN)
  - ± 0.10° C a 0° C for class 1/3 DIN
- Compact mineral insulated (MgO) resistance thermometer element (Pt100 at 0°C) and continuous metal sheath
- Application versatility

### MODELS

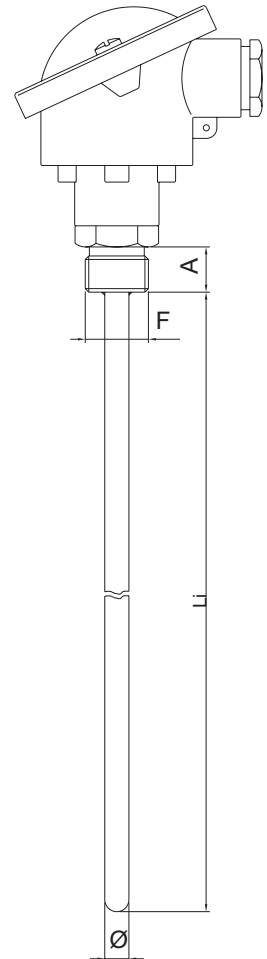
**AR6M A**  
without fitting



**AR6M B**  
with adjustable  
compression fitting



**AR6M D**  
with welded fitting  
under the head



# ORDER CODE

A R 6 M | 0 0 0 X 0 0 0 X | | | | | A

## CODE

### Model

Without fitting	A
With adjustable compression fitting	B
With welded fitting under the head	D

### Element + Nr. of Wires

Single 2 wires	1
Single 3 wires	2

### Precision Class

PT100 class A (1/2 DIN)	A
PT100 class B (1 DIN)	B
PT100 class (1/3 DIN)	C

### Connection Head

DIN B	C
DIN BUS	E
EEX d IIC 2GD	F
CEAA	H

### Sheath Material

AISI 316	C
----------	---

### Sheath Diameter (mm)

3	E*
4.5	G
6	I

(\*) Not available with double element

### Connection Thread \*

1/8" GAS	"A"= 10mm	A
1/4" GAS	"A"= 12mm	B
3/8" GAS	"A"= 15mm	C
1/2" GAS	"A"= 15mm	D
1/8" NPT		G
1/4" NPT		H
3/8" NPT		I
1/2" NPT		J

(\*) To be shown for B, D models only

### Connection Material \*

Nickel-Plated Brass	1**
300 Series Stainless Steel	2

(\*) To be shown for B, D models only

(\*\*) Available for AR6MB model only

### Certificates

A	Conformity Report
---	-------------------

### LENGTHS AND ACCESSORIES

### Type of Transmitter

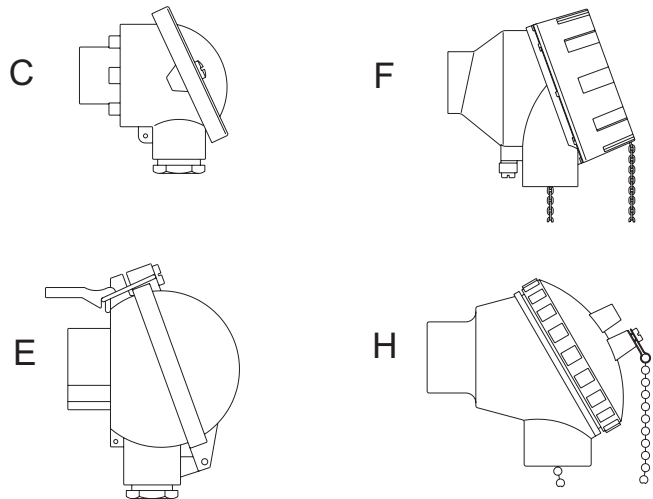
A	4 ÷ 20mA
---	----------

### Li = Immers. Length (mm)

Standard length from 50 to 2000 mm with 100 mm step  
And from 2000 to 10000 mm with 500 mm step

### Temperature Range in which the Calibration has to be Made

T. min	T. max
<input type="text"/> °C	<input type="text"/> °C
<input type="text"/> 4mA	<input type="text"/> 20mA



	Mod. B		Mod. D
MOUNT (F)	A (mm)	B (mm)	A (mm)
G 1/8	10	35	10
G 1/4	12	35	12
G 3/8	15	40	15
G 1/2	15	40	15
1/8 NPT	11	35	11
1/4 NPT	16	40	16
3/8 NPT	16	40	16
1/2 NPT	20	45	20

Availability of Mounts / Sheathing Diameter			
MOUNT (F)	ø3	ø4,5	ø6
G 1/8	x	x	x
G 1/4	x	x	x
G 3/8	-	x	x
G 1/2	-	x	x
1/8 NPT	x	x	x
1/4 NPT	x	x	x
3/8 NPT	-	x	x
1/2 NPT	-	x	x

Sensors amplifiers are manufactured in compliance with:

- EMC 2014/30/EU compatibility directive
- RoHS 2011/65/EU directive

Electrical installation requirements and Conformity certificate are available on our web site: [www.gefran.com](http://www.gefran.com)

**GEFRAN spa** reserves the right to make any kind of design or functional modification at any moment without prior notice

# GEFRAN

**GEFRAN spa**

via Sebina, 74

25050 PROVAGLIO D'ISEO (BS) - ITALIA

ph. 0309888.1 - fax. 0309839063

Internet: <http://www.gefran.com>

DTS\_AR6M\_04-2016\_ENG