



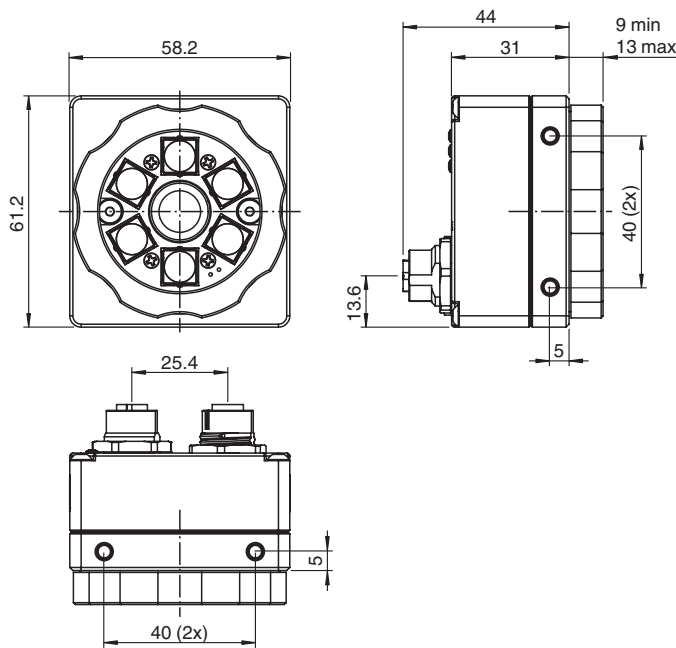
Vision Sensor VOS2000-F226W-16MM-I

- Reads all standard 1-D and 2-D codes
- Reads DPM codes
- Multi code reading
- Output string formatting
- Code quality output
- 32 Jobs on-board can be saved
- Offline parameterization
- 1.2 megapixel resolution
- Integrated illumination
- Mechanical focus adjustment

Vision sensor for 1-D and 2-D code reading with 32 job storage memory locations



Dimensions



Technical Data

General specifications

Sensing range	55 mm x 41 mm at 200 mm reading distance and min. module size of 0.1 mm (1-D and 2-D barcode) 295 mm x 221 mm at 1000 mm reading distance and min. module size of 0.4 mm (1-D barcode) or 0.54 mm (2-D barcode)
Light source	Integrated LED lightning
Light type	White light
Picture detail	dependant of operating distance

Release date: 2021-03-11 Date of issue: 2021-03-11 Filename: 70129944_eng.pdf

Refer to "General Notes Relating to Pepperl+Fuchs Product Information".

Pepperl+Fuchs Group
www.pepperl-fuchs.com

USA: +1 330 486 0001
fa-info@us.pepperl-fuchs.com

Germany: +49 621 776 1111
fa-info@de.pepperl-fuchs.com

Singapore: +65 6779 9091
fa-info@sg.pepperl-fuchs.com

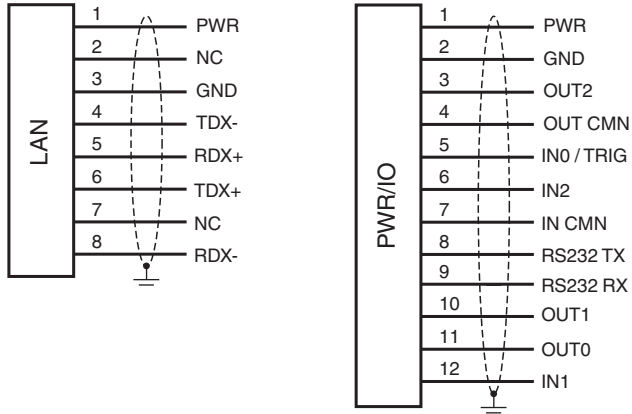
 PEPPERL+FUCHS

Technical Data

Readable codes	1-D Codes: Code 128, Code 39, Int 2 of 5, Codabar, UPC-A/E, EAN-8/13, Code 11, Code 32, Plessey, MSI Plessey, Telepen, BC 412, Pharmacode, DataBar, Postcode, Trioptic 2-D Codes: Data Matrix, QR-Code, Micro QR-Code, PDF417, Micro PDF417, Aztec, Han Xin Code, Maxi Code, Grid Matrix, Dotcode	
Trigger mode	Free-running or triggered externally	
Evaluation frequency	30 Hz	
Target velocity	max. 4 m/s	
Resolution	1280 x 960 pixels	
Parameterization/software		
Parameter assignment	Parameterization via PC user interface VCT Tool	
Indicators/operating means		
Operation indicator	LED blue	
Function indicator	LED fault signal , LED yellow: switching state (2x) : Position OK/features OK	
Focus setting	Focus adjustable via centering	
Electrical specifications		
Operating voltage	U _B	12 ... 30 V DC
Interface		
Interface type	PROFINET IO , EtherNet/IP , Ethernet TCP/IP , RS 232	
Input		
Input voltage	24 V	
Control input	Trigger + 2 general purpose inputs 2 inputs can be used for hardware solution switching	
Switching threshold	ON > 10 V DC OFF < 2 V DC	
Output		
Output type	3 general purpose outputs	
Switching voltage	24 V	
Switching current	max. 100 mA each output	
Standard conformity		
Emitted interference	EN 61000-6-4:2007+A1:2011	
Noise immunity	EN 61000-6-2:2005	
Approvals and certificates		
Approvals	CE	
Ambient conditions		
Ambient temperature	0 ... 50 °C (32 ... 122 °F)	
Storage temperature	-20 ... 60 °C (-4 ... 140 °F)	
Mechanical specifications		
Housing length	61 mm	
Housing width	58 mm	
Housing height	57 mm	
Degree of protection	IP67	
Connection	8-pin M12 socket A-coded ; 12-pin M12 socket	
Material		
Housing	anodized aluminum , plastic	
Optical face	Plastic pane	
Installation	Mounting bracket	
Mass	approx. 200 g	

Release date: 2021-03-11 Date of issue: 2021-03-11 Filename: 70129944_eng.pdf

Connection Assignment



Release date: 2021-03-11 Date of issue: 2021-03-11 Filename: 70129944_eng.pdf

Refer to "General Notes Relating to Pepperl+Fuchs Product Information".

Pepperl+Fuchs Group
www.pepperl-fuchs.com

USA: +1 330 486 0001
fa-info@us.pepperl-fuchs.com

Germany: +49 621 776 1111
fa-info@de.pepperl-fuchs.com

Singapore: +65 6779 9091
fa-info@sg.pepperl-fuchs.com