



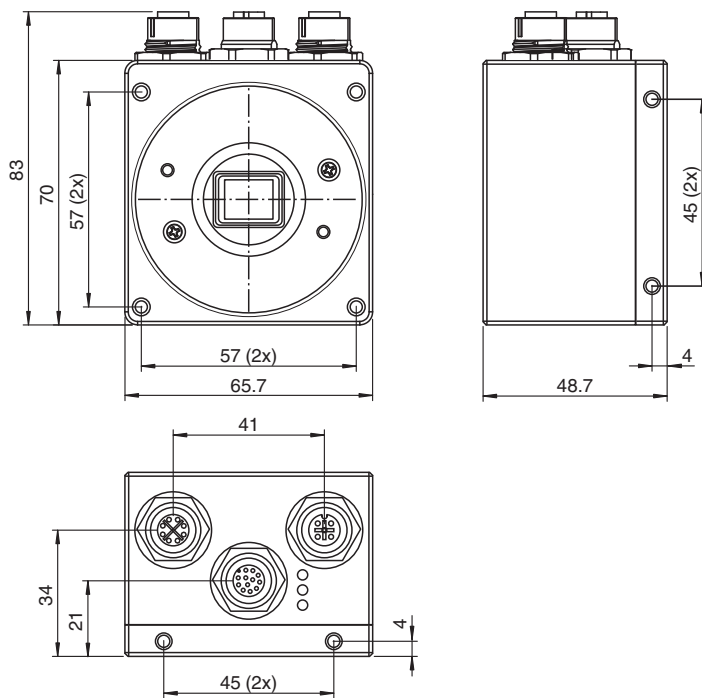
Vision Sensor VOS5000-F227-C-S

- Wide range of detection tools for flexible inspection tasks
- Offline parameterization
- 32 Jobs on-board can be saved
- Job administration
- Exchangeable lens (C-Mount)
- Mechanical focus adjustment

Vision sensor for complex object recognition with 32 job storage memory locations



Dimensions



Technical Data

General specifications

Light source	External lighting
Light type	Red light
Picture detail	dependant of operating distance
Trigger mode	Free-running or triggered externally
Depth of focus	± 5 % of the operating distance
Resolution	2560 x 2048 pixels

Parameterization/software

Release date: 2020-04-20 Date of issue: 2020-06-05 Filename: 70111629_eng.pdf

Refer to "General Notes Relating to Pepperl+Fuchs Product Information".

Pepperl+Fuchs Group
www.pepperl-fuchs.com

USA: +1 330 486 0001
fa-info@us.pepperl-fuchs.com

Germany: +49 621 776 1111
fa-info@de.pepperl-fuchs.com

Singapore: +65 6779 9091
fa-info@sg.pepperl-fuchs.com

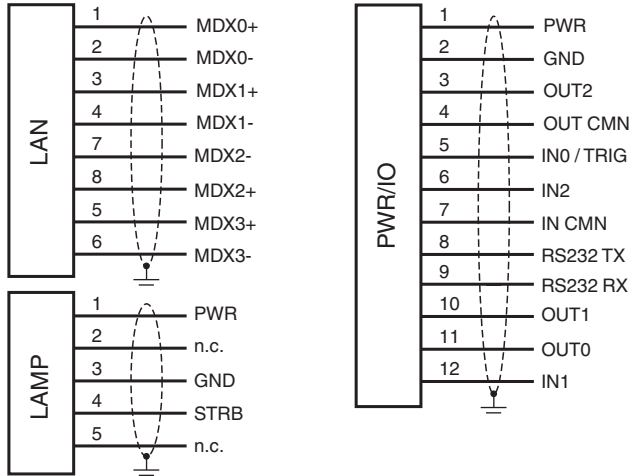
 PEPPERL+FUCHS

Technical Data

Parameter assignment		Parameterization via PC user interface VCT Tool
Evaluation procedure		
Positioning and Guidance		Based on Parts or product marks, up to four Locators to detect X,Y shift and rotation
Identification and Verification		OCR, 1-D and 2-D barcodes
Detection & Pattern Matching		Pixel-, contour- or edge count
Measuring		Distance, angle, circle size (after calibration)
Indicators/operating means		
Operation indicator		LED blue
Function indicator		LED fault signal , LED yellow: switching state (2x) : Position OK/features OK
Focus setting		Focus adjustable via centering
Electrical specifications		
Operating voltage	U _B	12 ... 30 V DC
Interface		
Interface type		Ethernet 1000 Mbit/s , RS 232 , PROFINET , Ethernet TCP/IP , EtherNet/IP , MODBUS
Input		
Input voltage		24 V
Control input		Trigger + 2 general purpose inputs 2 inputs can be used for hardware solution switching
Switching threshold		ON > 10 V DC OFF < 2 V DC
Output		
Output type		2 outputs + external light strobe
Switching voltage		24 V
Switching current		max. 100 mA each output
Standard conformity		
Emitted interference		EN 61000-6-4:2007+A1:2011
Noise immunity		EN 61000-6-2:2005
Approvals and certificates		
Approvals		CE
Ambient conditions		
Ambient temperature		0 ... 50 °C (32 ... 122 °F)
Storage temperature		-20 ... 60 °C (-4 ... 140 °F)
Mechanical specifications		
Degree of protection		IP67
Connection		5-pin M12 socket ; 8-pin M12 socket X-coded ; 12-pin M12 socket
Material		
Housing		anodized aluminum , plastic
Optical face		Plastic pane
Installation		Mounting bracket

Release date: 2020-04-20 Date of issue: 2020-06-05 Filename: 70111629_eng.pdf

Connection Assignment



Release date: 2020-04-20 Date of issue: 2020-06-05 Filename: 70111629_eng.pdf