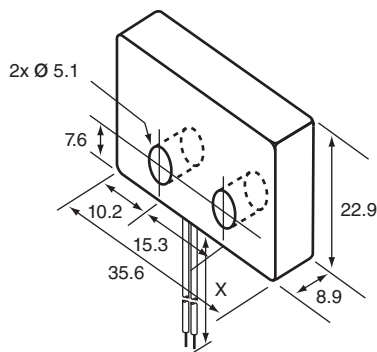


# Magnetic field sensor 50FR2-3-1

- Magnetically actuated reed switch
- Hermetically sealed contacts
- AC/DC compatibility
- Matching permanent magnet

## Dimensions



## Technical Data

General specifications		
Switching function		Normally open (NO)
Output type		Reed Contact
Rated operating distance	$s_n$	11.4 mm
Installation		non-flush
Output polarity		AC/DC
Mechanical life		$3 \times 10^7$ operations
Nominal ratings		
Operating voltage	$U_B$	100 V DC, 250 mA 115 V AC, 250 mA
Hysteresis	H	$\geq 2.54$ mm
Contact resistance		0.2 $\Omega$
Insulation resistance		min. 100 M $\Omega$ at 200 V DC
Dielectric strength		200 V AC, 60 Hz
Release point		max. 17.8 mm
Electrical specifications		
Electrical rating		AC supply: 10 VA, 132 V AC, 750 mA DC supply: 10 W, 100 V DC, 300 mA
Ambient conditions		
Ambient temperature		-40 ... 125 °C (-40 ... 257 °F)

Release date: 2020-03-24 Date of issue: 2020-03-30 Filename: 450055\_eng.pdf

Refer to "General Notes Relating to Pepperl+Fuchs Product Information".

Pepperl+Fuchs Group  
www.pepperl-fuchs.com

USA: +1 330 486 0001  
fa-info@us.pepperl-fuchs.com

Germany: +49 621 776 1111  
fa-info@de.pepperl-fuchs.com

Singapore: +65 6779 9091  
fa-info@sg.pepperl-fuchs.com

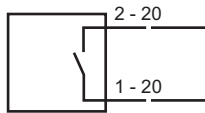
**PF** PEPPERL+FUCHS

## Technical Data


### Mechanical specifications

Connection type	cable PVDF , 914 mm
Core cross-section	0.5 mm <sup>2</sup>
Housing material	Phenolic
Sensing face	Phenolic
Degree of protection	IP68

## Connection



## Accessories

	<b>52FR1</b>	
---	--------------	--