

Power supply

PS1/31

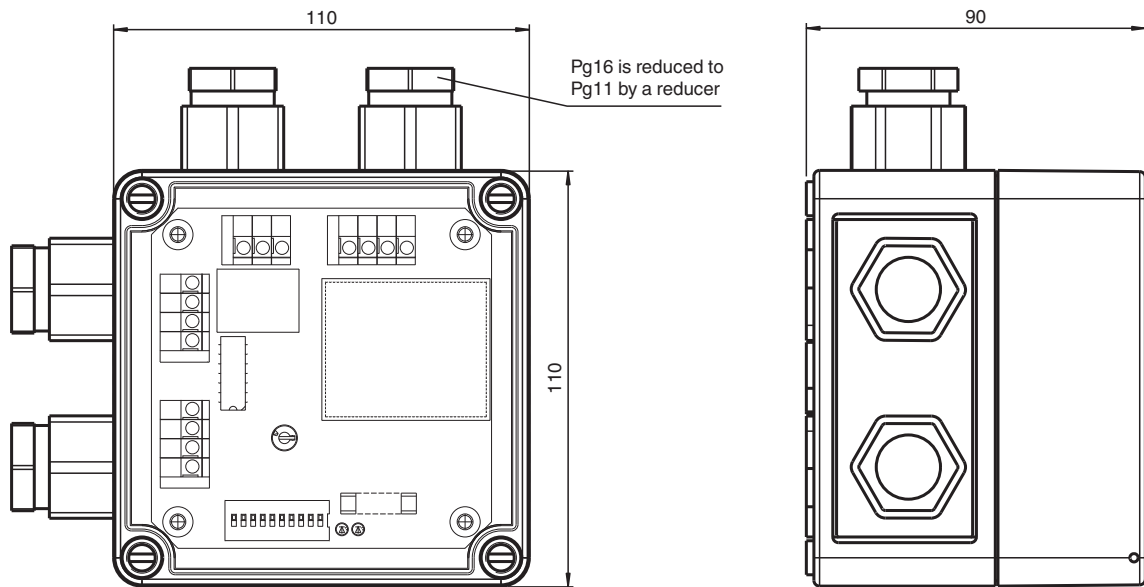


- Switching device for the simple electrical connection of sensors
- Relay output for high power
- 10-way programming switch for time functions and switching connection modes

Power supply/Power supply module



Dimensions



Release date: 2020-09-30 Date of issue: 2020-10-08 Filename: 419800_eng.pdf

Technical Data

Indicators/operating means

Function indicator	LED green: power on (according to safety) LED yellow: switching state, lights up for energized relay
Control elements	10-fold programming switch for timer functions and switching type

Refer to "General Notes Relating to Pepperl+Fuchs Product Information".

Pepperl+Fuchs Group
www.pepperl-fuchs.com

USA: +1 330 486 0001
fa-info@us.pepperl-fuchs.com

Germany: +49 621 776 1111
fa-info@de.pepperl-fuchs.com

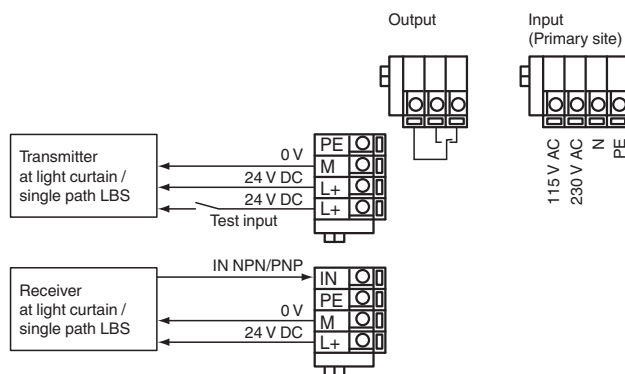
Singapore: +65 6779 9091
fa-info@sg.pepperl-fuchs.com

 **PEPPERL+FUCHS**

Technical Data

Electrical specifications		
Operating voltage	U_B	115 / 230 V AC
Power consumption	P_0	5 VA (0.25 A miniature fuse)
Output		
Switching type		light/dark on selectable programmable
Signal output		Relay, 1 alternator
Switching voltage		240 V AC
Switching current		1 A
Switching frequency	f	20 Hz
Response time		20 ms
Timer function		ON delay (GAN), OFF delay (GAB), ON delay-OFF delay (GAN-GAB), 0.1 ... 15 s programmable
Other outputs		Sensor power supply 24 VDC, max. 180 mA
Conformity		
Product standard		EN 60947-5-2
Approvals and certificates		
Approvals		CE
Ambient conditions		
Ambient temperature		0 ... 60 °C (32 ... 140 °F)
Storage temperature		-20 ... 75 °C (-4 ... 167 °F)
Mechanical specifications		
Degree of protection		IP55
Connection		4 PG16 screwed connections , cage tension terminals in the terminal space
Material		
Housing		Plastic with transparent cover
Installation		screw fixing Only the four holes under the cover screws can be used for mounting.
Mass		600 g

Connection Assignment



Release date: 2020-09-30 Date of issue: 2020-10-08 Filename: 419800_eng.pdf

Refer to "General Notes Relating to Pepperl+Fuchs Product Information".

Pepperl+Fuchs Group
www.pepperl-fuchs.com

USA: +1 330 486 0001
fa-info@us.pepperl-fuchs.com

Germany: +49 621 776 1111
fa-info@de.pepperl-fuchs.com

Singapore: +65 6779 9091
fa-info@sg.pepperl-fuchs.com

PF PEPPERL+FUCHS

Configuration

Extensive program functions for:

Input for PNP or NPN operation	Programmable by 10-pin DIP switch (S10)
Switching mode	High level at input, switch S9 = off - relay activated, S9 = on - relay deactivated
Startup time delay ON DELAY	Fixed time adjustable in stages (S1 ... S5) or continuous (S6), refer table switch settings
Drop out time delay OFF DELAY	Fixed time adjustable in stages (S1 ... S5) or continuous (S6), refer table switch settings
Double timing ON+ OFF DELAYS	Fixed time adjustable in stages (S1 ... S5) or continuous (S6), refer table switch settings ¹⁾

1) Attention: ON DELAY and OFF DELAY not possible with different timings

Switch settings

l = on m = off	Fixed time					Time adjustable	Time delay		Inputs	
	S1	S2	S3	S4	S5		S6	S7	S8	S9
0,1 s	l	m	m	m	m	m				
1 s	m	l	m	m	m	m				
2 s	m	m	l	m	m	m				
4 s	m	m		l	m	m				
10 s	m	m	m	m	l	m				
0 ... 15 s	m	m	m	m	m	l				
no delay							l	l		
ON DELAY							m	l		
OFF DELAY							l	m		
ON + OFF DELAYS							m	m		
inv.									l	
NPN										m
PNP										l

Release date: 2020-09-30 Date of issue: 2020-10-08 Filename: 419800_eng.pdf

Refer to "General Notes Relating to Pepperl+Fuchs Product Information".