



Inclination sensor INX360DH-F199-IE2-V19

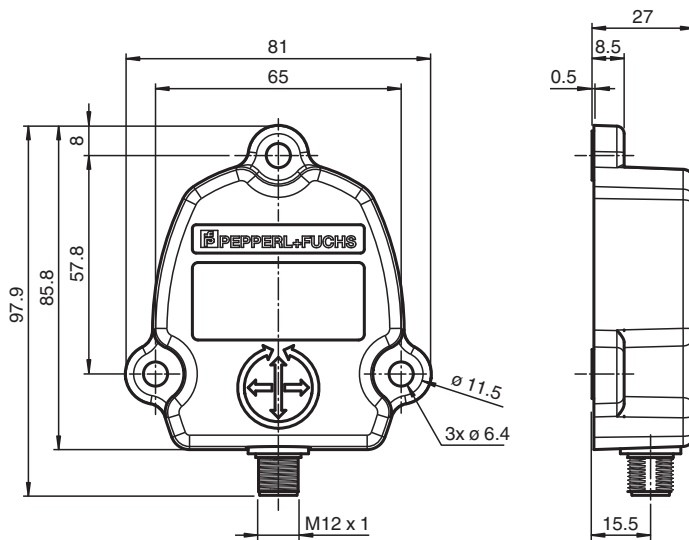
- Sturdy housing
- High accuracy of $\leq \pm 0,15^\circ$
- Analog output 4 mA ... 20 mA
- 1-axis with 360° measuring range



Function

This inclination sensor has an analog output 4 mA ... 20 mA. With its sturdy housing and its high accuracy, it is ideally suited for applications in the fields of solar, wind or mobile equipment.

Dimensions



Technical Data

General specifications

Type	Inclination sensor, 1-axis
Time delay before availability	125 ms
Measurement range	0 ... 360 °
Absolute accuracy	$\leq \pm 0.15^\circ$

Release date: 2020-06-03 Date of issue: 2020-06-03 Filename: 324838_eng.pdf

Refer to "General Notes Relating to Pepperl+Fuchs Product Information".

Pepperl+Fuchs Group
www.pepperl-fuchs.com

USA: +1 330 486 0001
fa-info@us.pepperl-fuchs.com

Germany: +49 621 776 1111
fa-info@de.pepperl-fuchs.com




Singapore: +65 6779 9091
fa-info@sg.pepperl-fuchs.com

PF PEPPERL+FUCHS

Technical Data

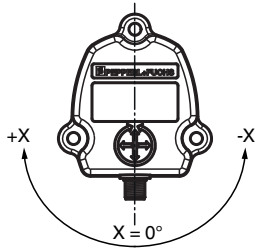
Response delay	≤ 100 ms	
Resolution	≤ 0.01 °	
Temperature influence	≤ 0.004 °/K	
Functional safety related parameters		
MTTF _d	700 a at 40 °C	
Mission Time (T _M)	20 a	
Diagnostic Coverage (DC)	0 %	
Electrical specifications		
Operating voltage	U _B	10 ... 30 V DC
No-load supply current	I ₀	≤ 65 mA at 10 V DC ≤ 60 mA at 24 V DC
Analog output		
Output type	current output 4 ... 20 mA	
Load resistor	270 Ω at 10 V DC	
Compliance with standards and directives		
Standard conformity		
Noise immunity	EN 61000-6-2	
Emitted interference	EN 61000-6-4	
Shock and impact resistance	DIN EN 60068-2-27, 100 g, 6 ms	
Vibration resistance	DIN EN 60068-2-6, 20 g, 10 ... 2000 Hz	
Ambient conditions		
Ambient temperature	-40 ... 85 °C (-40 ... 185 °F)	
Storage temperature	-40 ... 85 °C (-40 ... 185 °F)	
Mechanical specifications		
Connection type	8-pin, M12 x 1 connector , A-coded	
Housing material	aluminum, corrosion-resistant	
Degree of protection	IP68 / IP69	
Mass	approx. 200 g	

Accessories

	V19-G-2M-PUR-ABG	Female cordset, M12, 8-pin, shielded, PUR cable
	V19-G-2M-PUR-ABG-V19-G	Connecting cable, M12 to M12, PUR cable 8-pin, shielded
	V19-G-0,5M-PVC-SUBD9	Adapter cable M12 x 1 to sub-D, including DC coupling

Mounting

X-Orientation



Electrical connection

Signal	8-pin, M12 x 1 connector
+U _b	1
RxD	2
TxD	3
GND	4
Analog output X axis	5
Set 1	6
Static 2.2 mA	7
Set 2	8
Pinout	

Release date: 2020-06-03 Date of issue: 2020-06-03 Filename: 324838_eng.pdf