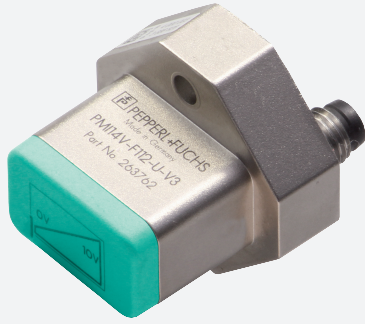


# Inductive positioning system

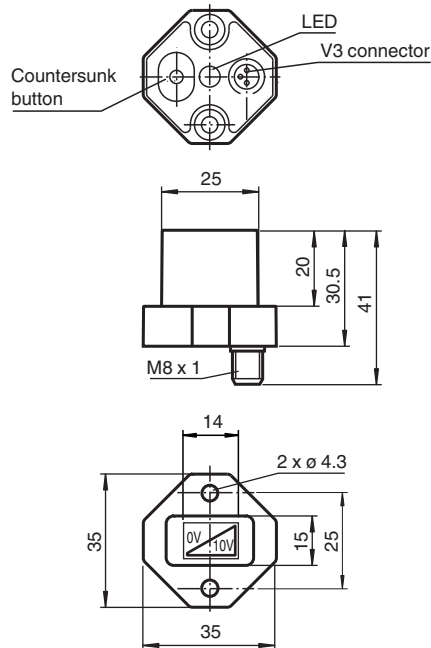
## PMI14V-F112-U-V3



- Analog output 0 ... 10 V
- Scaleable measurement range, programmable via key
- Measuring range 0 ... 14 mm



### Dimensions



### Technical Data

#### General specifications

Switching element function	Analog voltage output
Installation	flush
Object distance	max. 2.5 mm
Measurement range	0 ... 14 mm

#### Nominal ratings

Operating voltage	$U_B$	18 ... 30 V DC
Reverse polarity protection		reverse polarity protected
Linearity error		$\pm 0.3$ mm
Repeat accuracy	R	$\pm 0.05$ mm

Release date: 2020-07-14 Date of issue: 2020-10-16 Filename: 263762\_eng.pdf

Refer to "General Notes Relating to Pepperl+Fuchs Product Information".

Pepperl+Fuchs Group  
www.pepperl-fuchs.com

USA: +1 330 486 0001  
fa-info@us.pepperl-fuchs.com

Germany: +49 621 776 1111  
fa-info@de.pepperl-fuchs.com

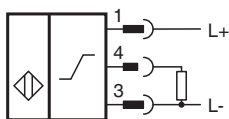
Singapore: +65 6779 9091  
fa-info@sg.pepperl-fuchs.com

**PEPPERL+FUCHS**

## Technical Data

Resolution		33 µm
Temperature drift		± 0.4 mm
No-load supply current	$I_0$	≤ 20 mA
Operating voltage indicator		LED
<b>Functional safety related parameters</b>		
MTTF <sub>d</sub>		490 a
Mission Time (T <sub>M</sub> )		20 a
Diagnostic Coverage (DC)		0 %
<b>Analog output</b>		
Output type		1 voltage output: 0 ... 10 V
Load resistor		≥ 2000 Ω
Short-circuit protection		limited to 6 mA
<b>Compliance with standards and directives</b>		
Standard conformity		
Standards		EN 60947-5-2:2007 EN 60947-5-2/A1:2012 IEC 60947-5-2:2007 IEC 60947-5-2 AMD 1:2012
<b>Approvals and certificates</b>		
UL approval		cULus Listed, Class 2 Power Source, Type 1 enclosure
CCC approval		CCC approval / marking not required for products rated ≤36 V
<b>Ambient conditions</b>		
Ambient temperature		-25 ... 70 °C (-13 ... 158 °F)
<b>Mechanical specifications</b>		
Connection type		M8 x 1 connector, 3-pin
Housing material		diecast zinc, not laquered or coated
Degree of protection		IP67
Material		
Target		mild steel, e. g. 1.0037, SR235JR (formerly St37-2)
Note		The data relating to accuracy only apply to a distance to the object to be detected of 1 ... 2.5 mm.

## Connection



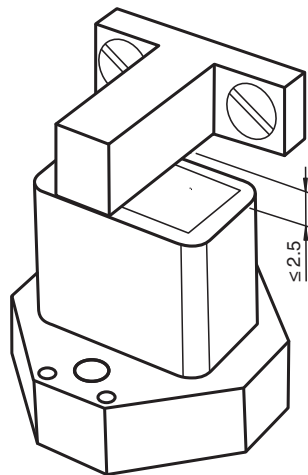
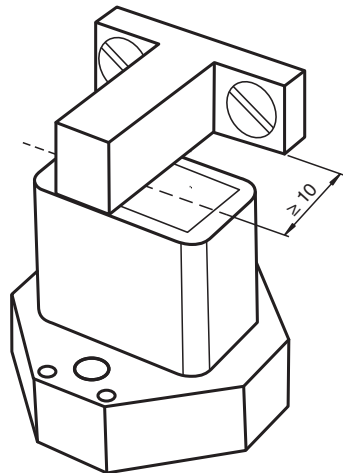
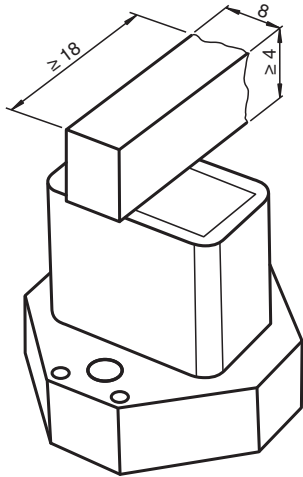
## Connection Assignment



Wire colors in accordance with EN 60947-5-2

1		BN	(brown)
3		BU	(blue)
4		BK	(black)

## Installation Conditions



Release date: 2020-07-14 Date of issue: 2020-10-16 Filename: 263762\_eng.pdf

Refer to "General Notes Relating to Pepperl+Fuchs Product Information".




Pepperl+Fuchs Group  
www.pepperl-fuchs.com

USA: +1 330 486 0001  
fa-info@us.pepperl-fuchs.com

Germany: +49 621 776 1111  
fa-info@de.pepperl-fuchs.com

Singapore: +65 6779 9091  
fa-info@sg.pepperl-fuchs.com

**Accessories**

	<b>BT-F90-W</b>	Damping element for sensors of type F90, F112, and F166; side hole
	<b>V3-WM-2M-PUR</b>	Female cordset single-ended, M8, 3-pin, PUR cable
	<b>BT-F90-G</b>	Damping element for sensors of type F90, F112, and F166; front hole

**Installation**

**Information on Installation and Operation**

**Safety Information**



Warnung

This product must not be used in applications in which the safety of persons depends on the function of the device. This product is not a safety component as specified in the EU Machinery Directive.

**Actuator**

The linear position measurement system is optimally aligned to the geometry of Pepperl+Fuchs actuators.

**Using Your Own Actuators**

Generally speaking, it is possible for you to use your own actuators. The specified measurement accuracy of the sensor will be achieved only if the actuator has the following properties:

- Material: construction steel such as S235JR+AR (previously St37)
- Dimensions (L x W x H):  $\geq 18 \text{ mm} \times 8 \text{ mm} \times \geq 4 \text{ mm}$
- The active surface of the actuator must protrude across the entire sensor width.

**Note:**

The width of the actuator must be precisely 8 mm. If the width of the actuator deviates from this value, the position values will differ.

**Installation**

- It is possible to flush mount the device.
- The distance between the center of the measurement field (framed area on the front panel of the sensor) and the fixing base or fixing elements (e.g., protruding screw heads) of the actuator must be at least 10 mm.

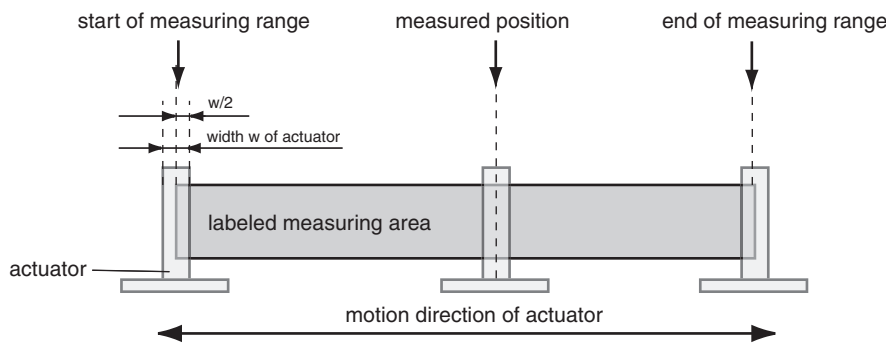
**Operating Instructions**

The specified measurement accuracy is achieved if the distance of the actuator from the sensor surface is max. 2.5 mm.

**Definition of the Measuring Range/Measured Position**

The measured position of the actuator is based on half of the width (center of the actuator).

The measuring range starts and ends when the actuator covers the measurement field marked on the sensor with half of its width in the course of its longitudinal movement.



Release date: 2020-07-14 Date of issue: 2020-10-16 Filename: 263762\_eng.pdf

Refer to "General Notes Relating to Pepperl+Fuchs Product Information".