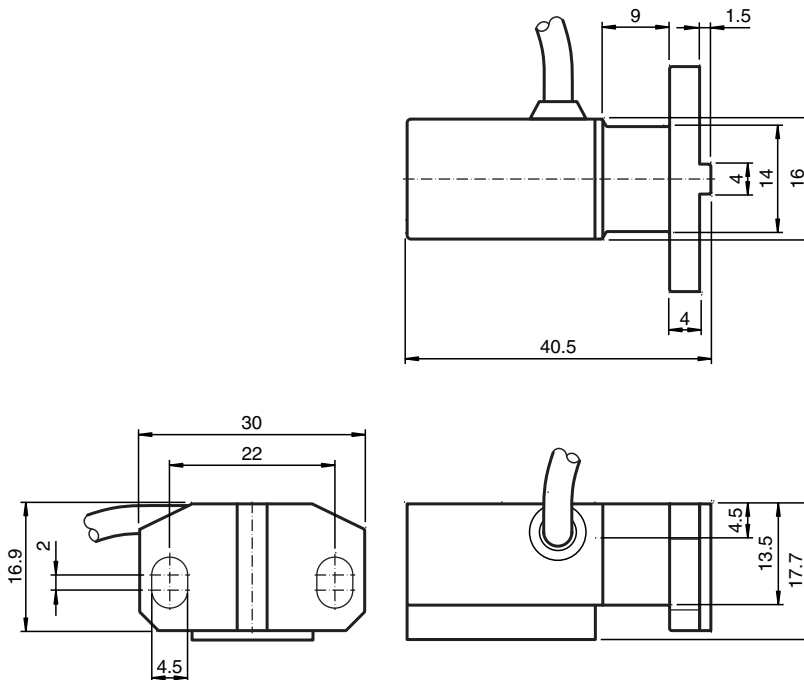


Inductive positioning system PMI14V-F166-U-1M-Y215627

- Analog output 0 ... 10 V
- Measuring range 0 ... 14 mm
- Scalable measurement range programmable via cable



Dimensions



Technical Data

General specifications

Switching element function	Analog voltage output
Object distance	0.5 ... 2 mm
Measurement range	0 ... 14 mm

Nominal ratings

Operating voltage	U_B	18 ... 30 V
Reverse polarity protection		reverse polarity protected
Linearity error		± 0.3 mm
Repeat accuracy	R	± 0.05 mm
Resolution		33 μ m

Release date: 2020-03-23 Date of issue: 2020-10-16 Filename: 215627_eng.pdf

Refer to "General Notes Relating to Pepperl+Fuchs Product Information".

Pepperl+Fuchs Group
www.pepperl-fuchs.com

USA: +1 330 486 0001
fa-info@us.pepperl-fuchs.com

Germany: +49 621 776 1111
fa-info@de.pepperl-fuchs.com

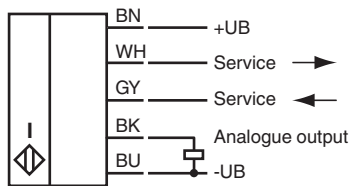
Singapore: +65 6779 9091
fa-info@sg.pepperl-fuchs.com

PEPPERL+FUCHS

Technical Data

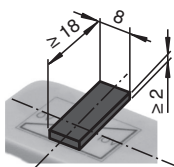
Temperature drift		± 0.4 mm
No-load supply current	I_0	≤ 20 mA
Analog output		
Output type		1 voltage output: 0 ... 10 V
Load resistor		≥ 1000 Ω
Short-circuit protection		pulsing
Compliance with standards and directives		
Standard conformity		
Standards		EN 60947-5-2:2007 IEC 60947-5-2:2007
Ambient conditions		
Ambient temperature		-10 ... 70 °C (14 ... 158 °F)
Mechanical specifications		
Connection type		1 m, PUR cable
Core cross-section		5 x 0.25 mm ²
Material		
Housing		Zinc die-casting, nickel-plated cover, PBT
Target		mild steel, e. g. 1.0037, SR235JR (formerly St37-2)
Mass		65 g

Connection



Additional Information

dimensions for the target object:



Accessories

	BT-F90-W	Damping element for sensors of type F90, F112, and F166; side hole
	BT-F90-G	Damping element for sensors of type F90, F112, and F166; front hole

Release date: 2020-03-23 Date of issue: 2020-10-16 Filename: 215627_eng.pdf